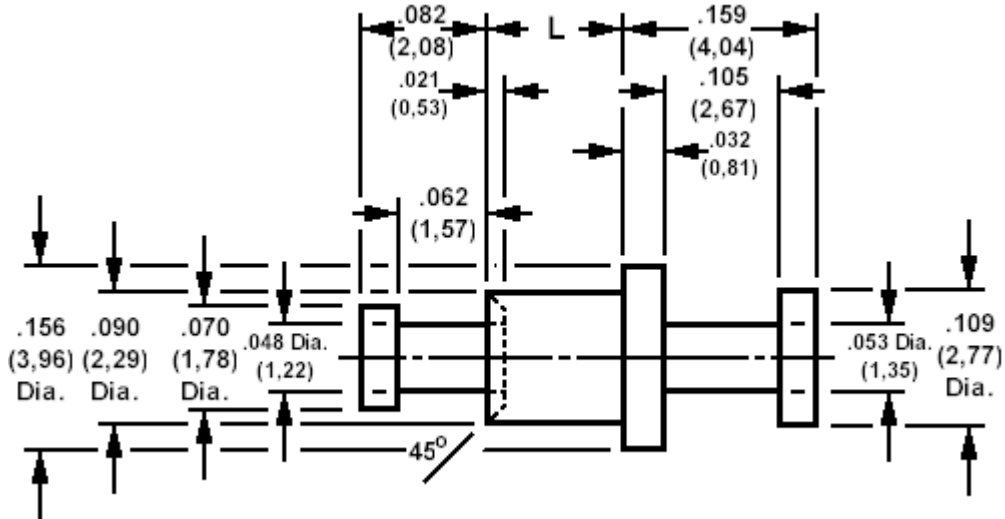


160-1041 Solder Terminal, Turreted, Feed Thru

Recommended mounting hole .093 (2,36), #42 drill



How to order code

160-1041-XX-YY-00

Basic Part No XX = L dimension, YY = Plating Finish

DIMENSIONS (XX)			
Basic Part No	(XX)	L	Board Thickness
160-1041	-01	.062 (1,57)	.031 (0,79)
	-02	.094 (2,39)	.062 (1,57)
	-03	.125 (3,18)	.094 (2,39)
	-04	.156 (3,96)	.125 (3,18)

MATERIALS			
Component	Material	Finish (YY)	
		Terminal	Brass

SWAGE TOOLING	
Recommended Swaging Tools:-	
Anvil	435-6447-01-00-00
Roll punch	435-6658-01-00-00