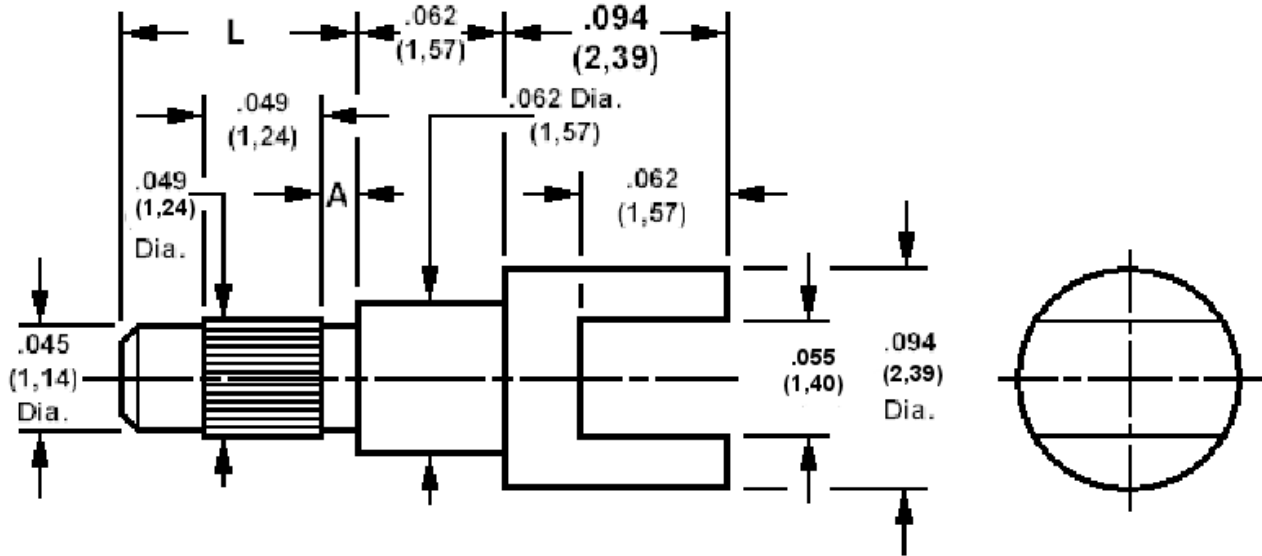


180-2228 Solder Terminal, Slotted

Recommended mounting hole .046 (1,18), #56 drill



How to order code
180-2228-XX-YY-00

Basic Part No XX = L dimension, YY = Plating Finish

DIMENSIONS (XX)			
Basic Part No	(XX)	L	A
180-2228	-01	.297 (7,54)	.031 (0,79)
	-02	.100 (2,54)	.015 (0,38)

MATERIALS		
Component	Material	Finish
Terminal	Brass	-05 Electro Solder