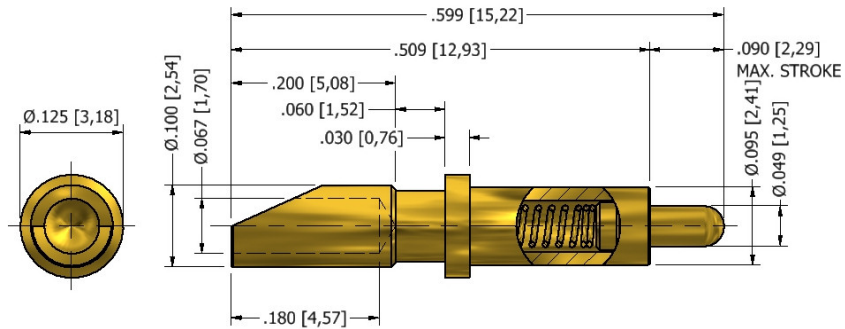


410-8015 Spring Loaded Contact – Solder Bucket



How to order code
410-8015-01-03-00

Materials:-

Sleeve, Plunger, and Solder Bucket: Copper Alloy

Spring: Stainless Steel 302

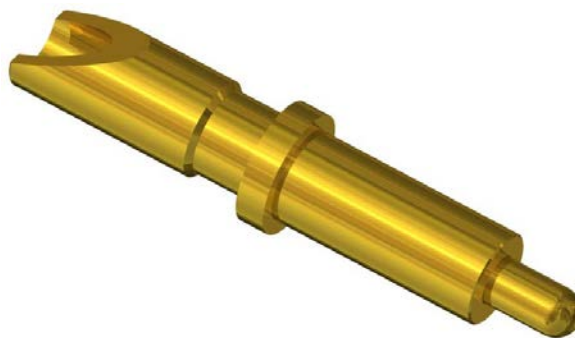
Sleeve, Plunger, and Solder Bucket finish: .00002 (0.5um) Gold over Nickel

Spring finish: .00001 (0.25um) Gold over Nickel

Durability: 1,000,000 cycles

Rated Current (Free Air): 9A continuous @ 10° DT

Contact Resistance: 20mΩ Max.



RoHS Compliant