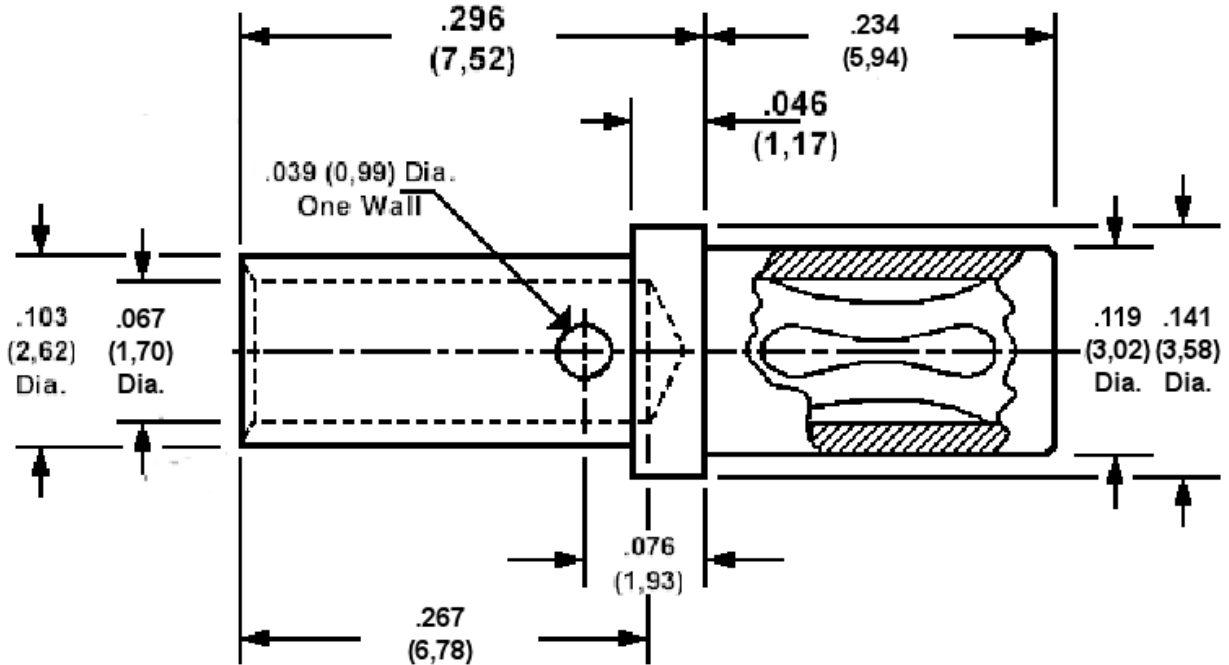


**450-0016 Socket for Patch Lead Ends,
 for .060 - .062 (1,52 - 1,57) Diameter Pins**



Min hole depth (socket) .190 (4,83)

How to order code
450-0016-01-XX-00
 Basic Part No XX = Finish

MATERIALS				
Component	Material	Finish (-03)	Finish (-04)	Finish (-06)
Body	Brass	Gold over Nickel	Electro Tin	Tin
Spring	Beryllium copper	Gold over Nickel	Electro Tin	Gold over Nickel

Recommended hook up wire size is 20 AWG (7 strands of 28AWG) copper wire, insulated. (not supplied).

Will also accept 18 AWG (7 strands of 26AWG) copper wire, insulated
 and
 16 AWG (19 strands of 29AWG) copper wire, insulated.

Recommended crimping pliers 435-5680-01-00-00