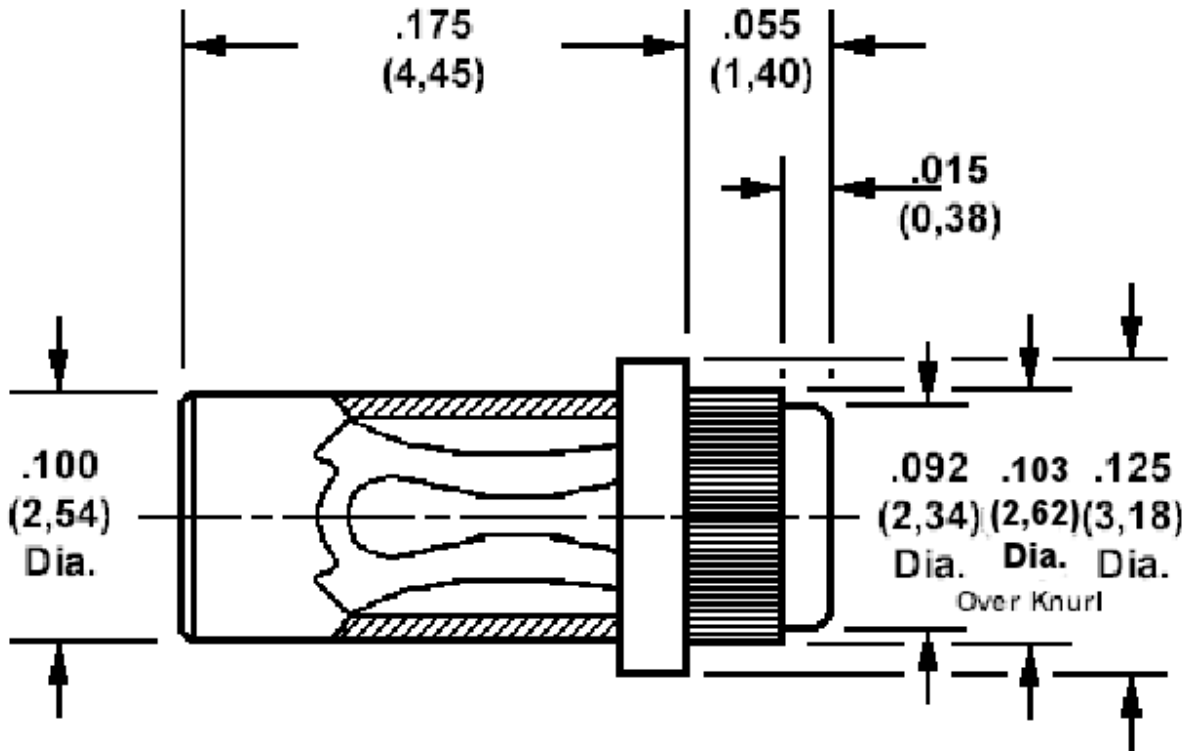


**450-1801 Knurl Mount Socket,
 for .040 (1,02) Diameter Pins**

Recommended mounting hole .099 (2,53) + .001 (0,03) - .003 (0,08)



Min hole depth .185 (4,70)

How to order code
450-1801-01-XX-00
 Basic Part No XX = Finish

MATERIALS				
Component	Material	Finish (-03)	Finish (-04)	Finish (-06)
Body	Brass	Gold over Nickel	Electro Tin	Tin
Spring	Beryllium copper	Gold over Nickel	Electro Tin	Gold over Nickel