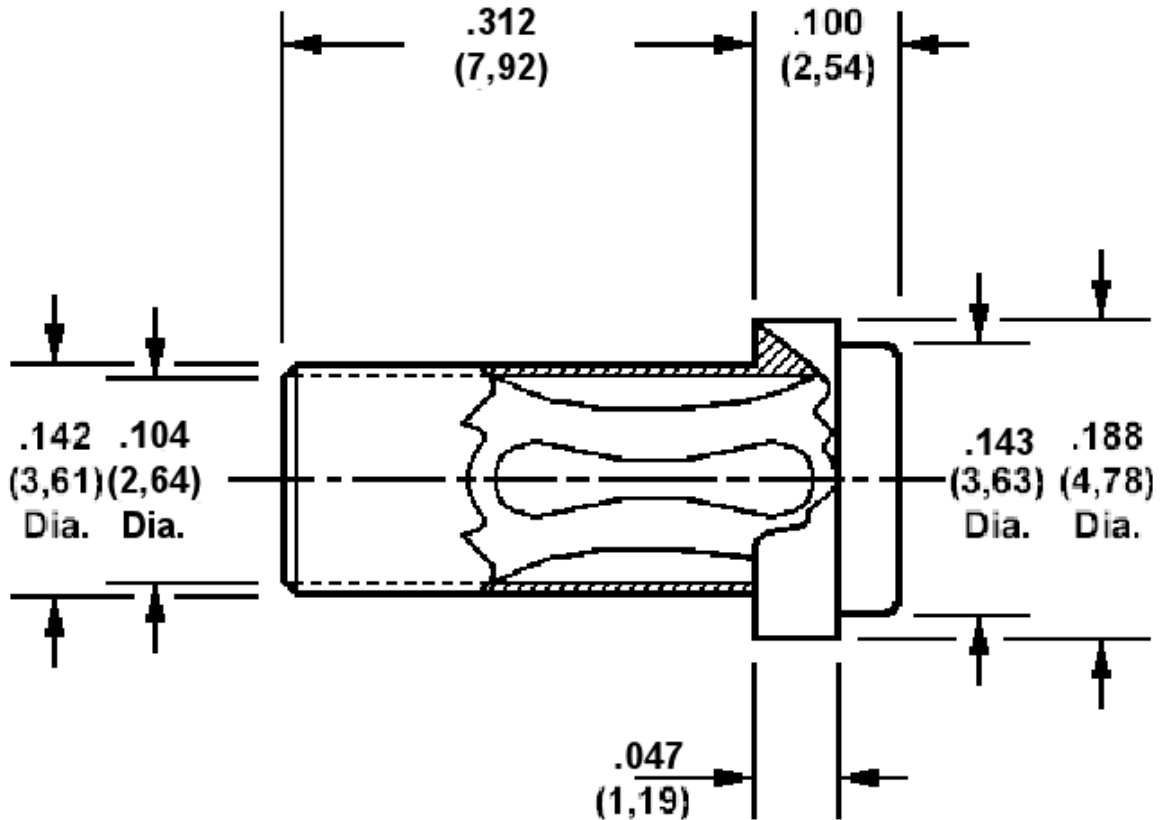


**450-3256 Solder Mount, Through Hole Socket,  
 for .080 (2,03) Diameter Pins**

Recommended mounting hole .144 (3,66) ± .001 (0,03), # 43 drill



Through Hole .104 (2,64)

How to order code  
**450-3256-01-XX-00**  
 Basic Part No XX = Finish

MATERIALS				
Component	Material	Finish (-03)	Finish (-04)	Finish (-06)
Body	Brass	Gold over Nickel	Electro Tin	Electro Tin
Spring	Beryllium copper	Gold over Nickel	Electro Tin	Gold over Nickel