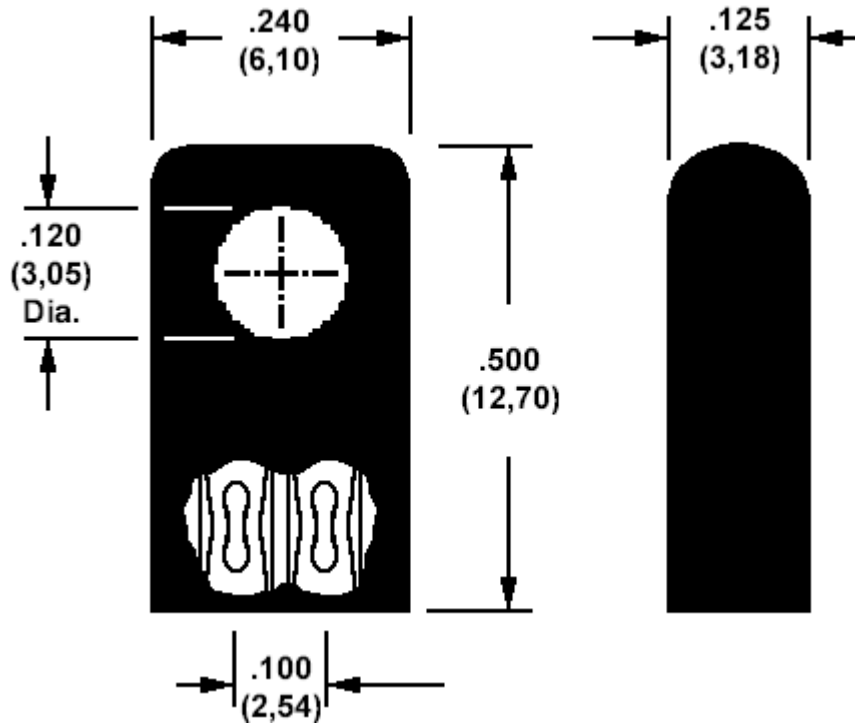


**450-4774 Shorting Socket, Insulated,
 for .030 (0,76) to .032 (0,81) Diameter Pins**



Min hole depth .190 (4,83)

How to order code
450-4774-01-06-XX
 Basic Part No XX = Colour

Component	Material	Finish (-06)
Body	Copper	Electro Tin
Spring	Beryllium copper	Gold over Nickel
Insulator	Polypropylene	Select colour (see below)

COLOUR (XX)		
-10	-12	-16
Black	Red	Blue