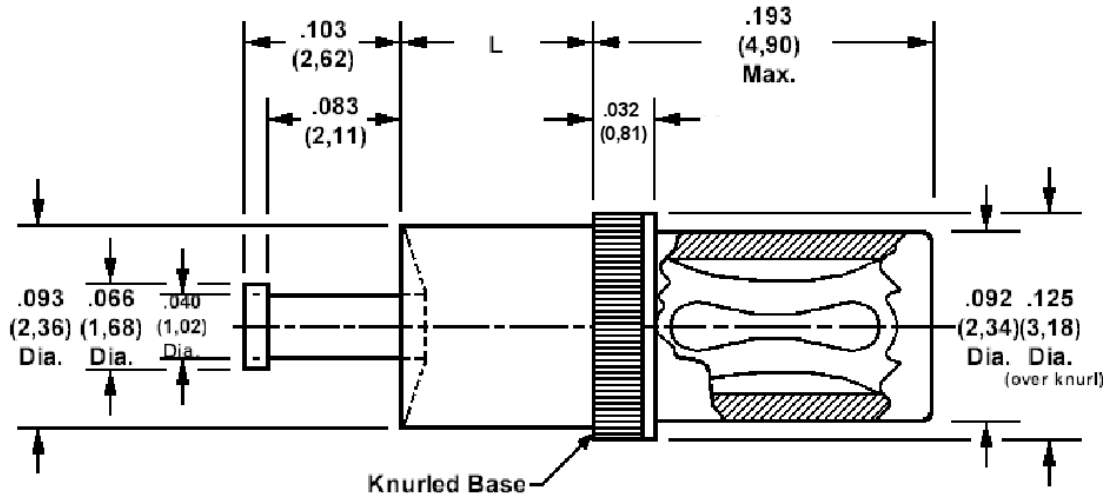


**450-7005 Swage Mount Socket, for .030 (0,76) to .032 (0,81) Diameter Pins**

Recommended mounting hole .094 (2,39) ± .002 (0,05), #42 drill



Min hole depth .183 (4,65)

**How to order code**

**450-7005-YY-XX-00**

Basic Part No YY = Board thickness XX = Finish

DIMENSIONS		
Dash No (YY)	'L'	Board Thickness
-01	.062 (1,57)	.031 (0,79)
-02	.094 (2,39)	.062 (1,57)
-03	.125 (3,18)	.094 (2,39)
-04	.156 (3,96)	.125 (3,18)
-05	.219 (5,56)	.188 (4,76)

MATERIALS				
Component	Material	Finish (-03)	Finish (-04)	Finish (-06)
Body	Brass	Gold over Nickel	Electro Tin	Electro Tin
Spring	Beryllium copper	Gold over Nickel	Electro Tin	Gold over Nickel

TOOLING	
<b>Recommended Swaging Tools:-</b>	
Anvil	435-6404-01-00-00
Roll Punch	435-6658-02-00-00