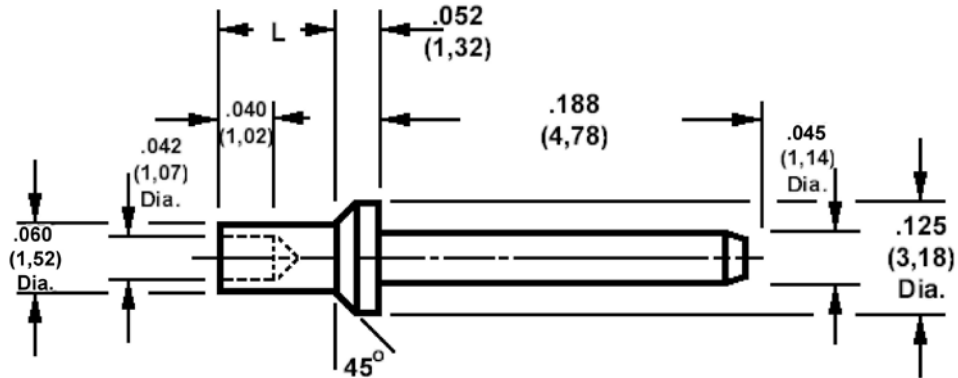


460-3221 Swage Mount, .044 (1,14) Diameter Pin

Recommended mounting hole .064 (1,63) ± .002 (0,05)



How to order code

460-3221-XX-YY-00

Basic Part No XX = L dimension, YY = Plating Finish

DIMENSIONS (XX)			
Basic Part Number	(XX)	L	For Board Thickness
460-3221	-01	.062 (1,57)	.031 (0,79)
	-02	.094 (2,39)	.062 (1,57)
	-03	.125 (3,18)	.094 (2,39)
	-04	.156 (3,96)	.125 (3,18)

MATERIALS				
Component	Material	Finish (-03)	Finish (-04)	Finish (-05)
Pin	Brass	Gold over Nickel	Electro Tin	Electro Solder

SWAGE TOOLING	
Recommended Swaging Tools:-	
Anvil	435-6430-01-00-00
Flare Punch	435-6657-01-00-00