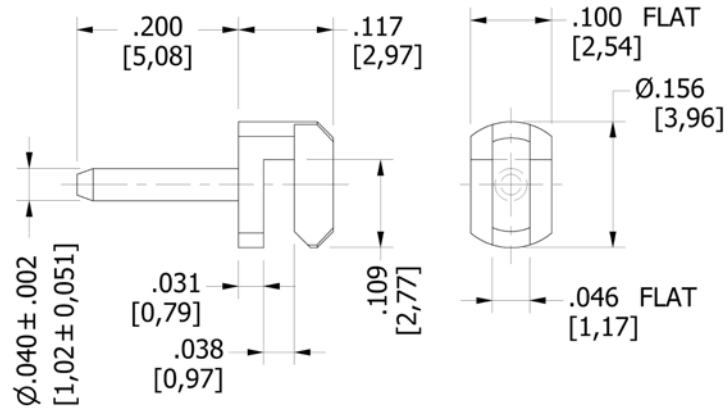


460-8250 Connector Pin - Edge Mount



How to order code

460-8250-01-YY-00

Basic Part No YY = plating finish

MATERIALS			
Component	Material	Finish (-03)	Finish (-04)
Connector Pin	Brass CuZn39Pb3 Hard	Gold over Nickel 20μ" (0.5μM) Au	Electro Tin over Nickel 200μ" (5μM)



RoHS Compliant
 Tolerance UOS: ±.005 [±0,13]