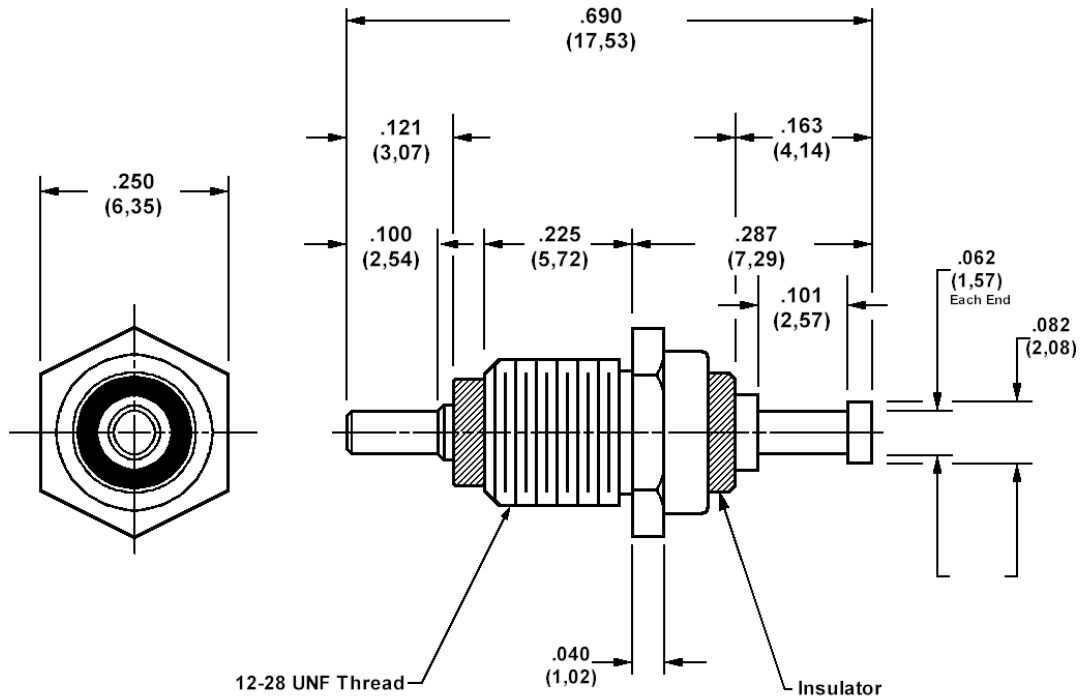


570-1502 Insulated solder terminal, Feed thru



How to order code

570-1502-01-YY-19

Basic Part No (YY = plating finish. See tables for options)

Component	Material	Finish (YY)	
		-01	-05
Terminal	Brass	Silver	Electro Solder
Mounting Stud	Brass	Nickel	Nickel
Insulator	Teflon - white		

Unassembled Mounting Hardware	Material	Finish
Mounting Hex Nut	Brass	Nickel
Internal Tooth Lockwasher	Phosphor Bronze	Nickel

Additional Specifications	
Dielectric Withstanding Voltage (VRMS)	2000

Teflon is a registered trademark of Dupont