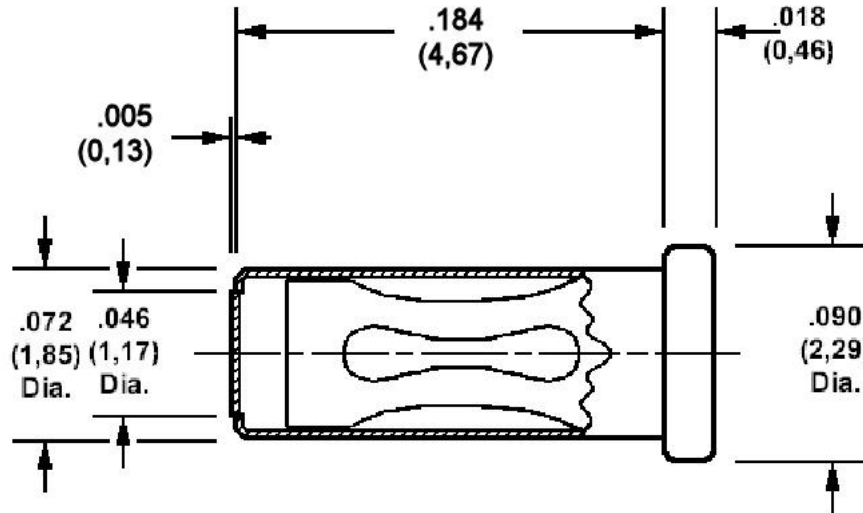


**945-7910 Solder mount socket with knock out bottom, for .040 (1,02) diameter pins**

**Non-Magnetic**

**(base of connector is knocked out after soldering)**

Recommended mounting hole .076 (1,93) + .002 (0,05) - .001 (0,03), #48 drill



Min hole depth .190 (4,85)

**How to order code**

**945-7910-01-XX-00**

Basic Part No XX = Finish

MATERIALS				
Component	Material	Finish(-03)	Finish(-04)	Finish(-06)
Body	Copper	Gold over Copper	Tin	Tin
Spring	Beryllium copper	Gold over Copper	Tin	Gold over Copper



Dimensions in inches [mm]

Tolerance unless otherwise stated ±.005 [0.13]