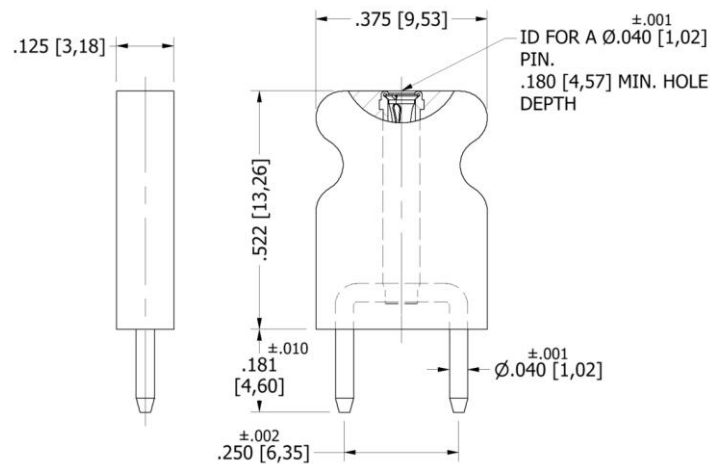


460-8500 Test Point, insulated, .040 (1,02) diameter pins



How to order code
460-8500-01-03-YY
 Basic Part No, YY = Colour

MATERIALS		
Component	Material	Finish(-03)
Pin	Brass	Gold over Nickel
Socket Body	Brass	Gold over Nickel
Spring	Beryllium Copper	Gold over Nickel
Insulator	Polypropylene	Select colour (see below)

COLOUR (YY)	
YY	COLOUR
-10	Black
-11	Brown
-12	Red
-13	Orange
-14	Yellow
-15	Green
-16	Blue
-17	Violet
-18	Grey
-19	White

Current Rating: 3A 1°C Delta T

