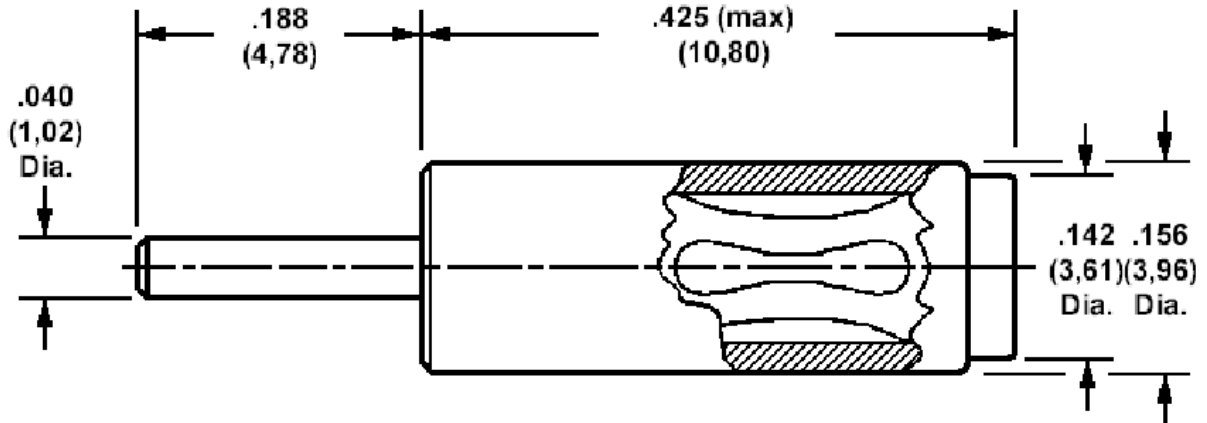


**450-3278 Converter Socket, .080 (2,03) Socket to .040 (1,02) Pin**



Min hole depth .325 (8,26)

**How to order code**  
**450-3278-01-03-00**

Component	Material	Finish (-03)
Body	Brass	Gold over Nickel
Spring	Beryllium copper	Gold over Nickel