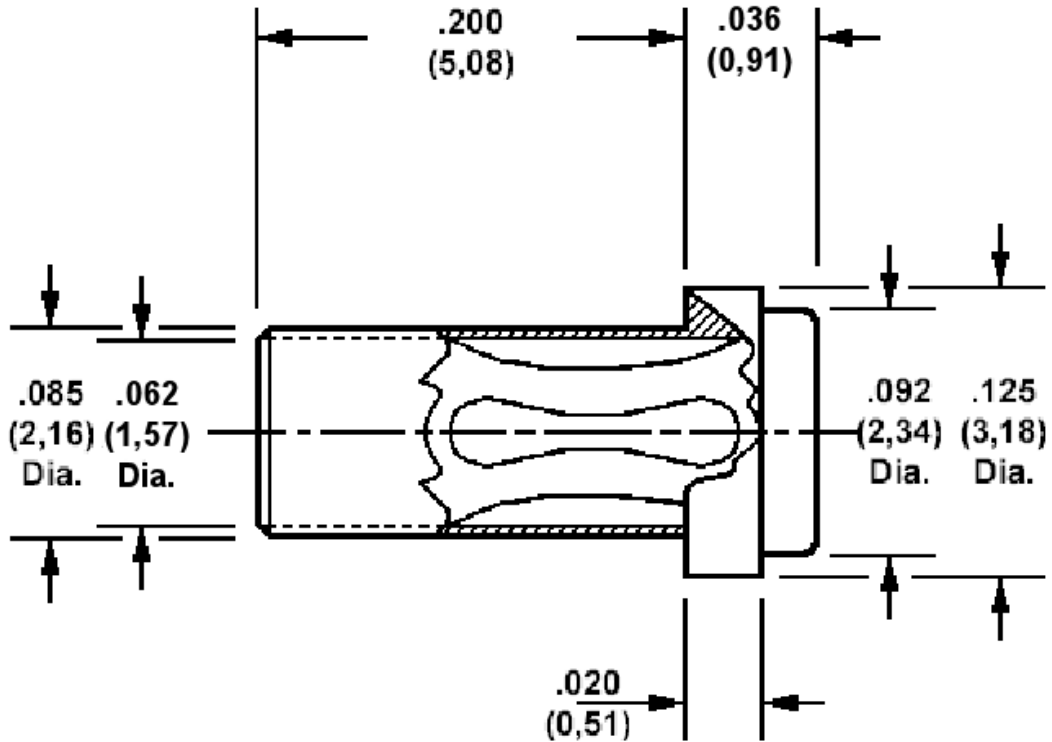


**450-3286 Solder Mount, Through Hole Socket,
 for .040 (1,02) Diameter Pins**

Recommended mounting hole .089 (2,26) ± .001 (0,03), # 43 drill



Through hole .062 (1,57)

How to order code
450-3286-01-XX-00
 Basic Part No XX = Finish

| MATERIALS | | | | |
|-----------|------------------|------------------|--------------|------------------|
| Component | Material | Finish (-03) | Finish (-04) | Finish (-06) |
| Body | Brass | Gold over Nickel | Electro Tin | Electro Tin |
| Spring | Beryllium copper | Gold over Nickel | Electro Tin | Gold over Nickel |