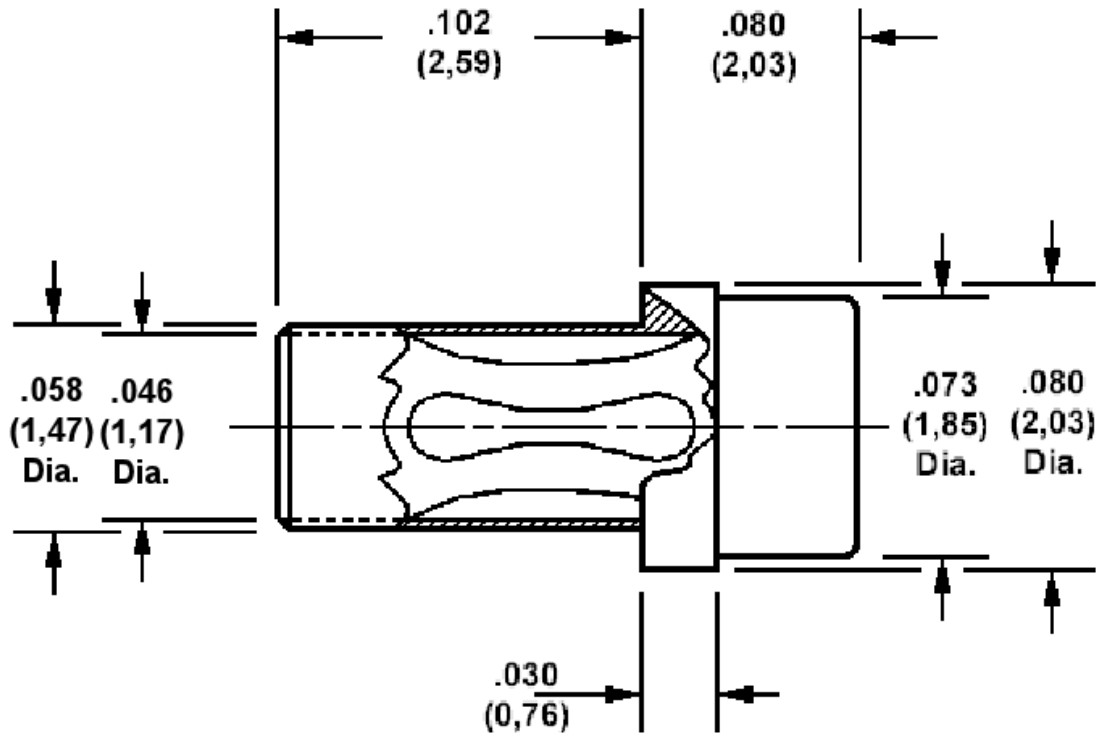


**450-3293 Solder Mount, Through Hole Socket,
 for .025 (0,64) Diameter Pins**

Recommended mounting hole .062 (1,57) ±.002 (0,05)



Through hole .046 (1,17)

How to order code
450-3293-01-XX-00
 Basic Part No XX = Finish

MATERIALS				
Component	Material	Finish (-03)	Finish (-04)	Finish (-06)
Body	Brass	Gold over Nickel	Electro Tin	Electro Tin
Spring	Beryllium copper	Gold over Nickel	Electro Tin	Gold over Nickel