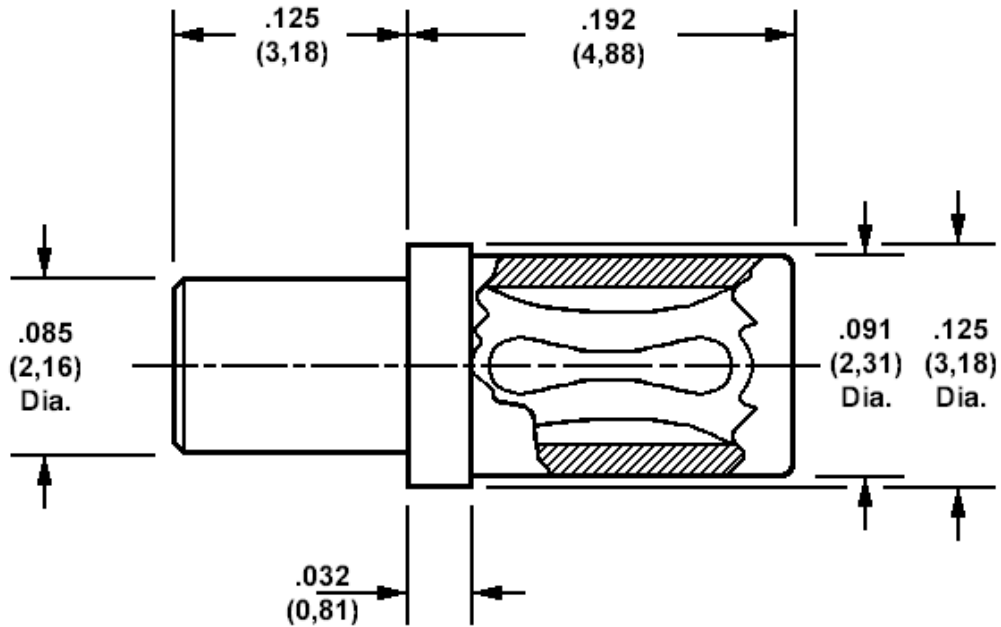


450-3366 Solder Mount Socket, for .040 (1,02) Diameter Pins

Recommended mounting hole .089 (2,26) ±.002 (0,05), #43 drill



Min hole depth .192 (4,88)

How to order code
450-3366-01-XX-00
 Basic Part No XX = Finish

MATERIALS				
Component	Material	Finish (-03)	Finish (-04)	Finish (-06)
Body	Brass	Gold over Nickel	Electro Tin	Electro Tin
Spring	Beryllium copper	Gold over Nickel	Electro Tin	Gold over Nickel