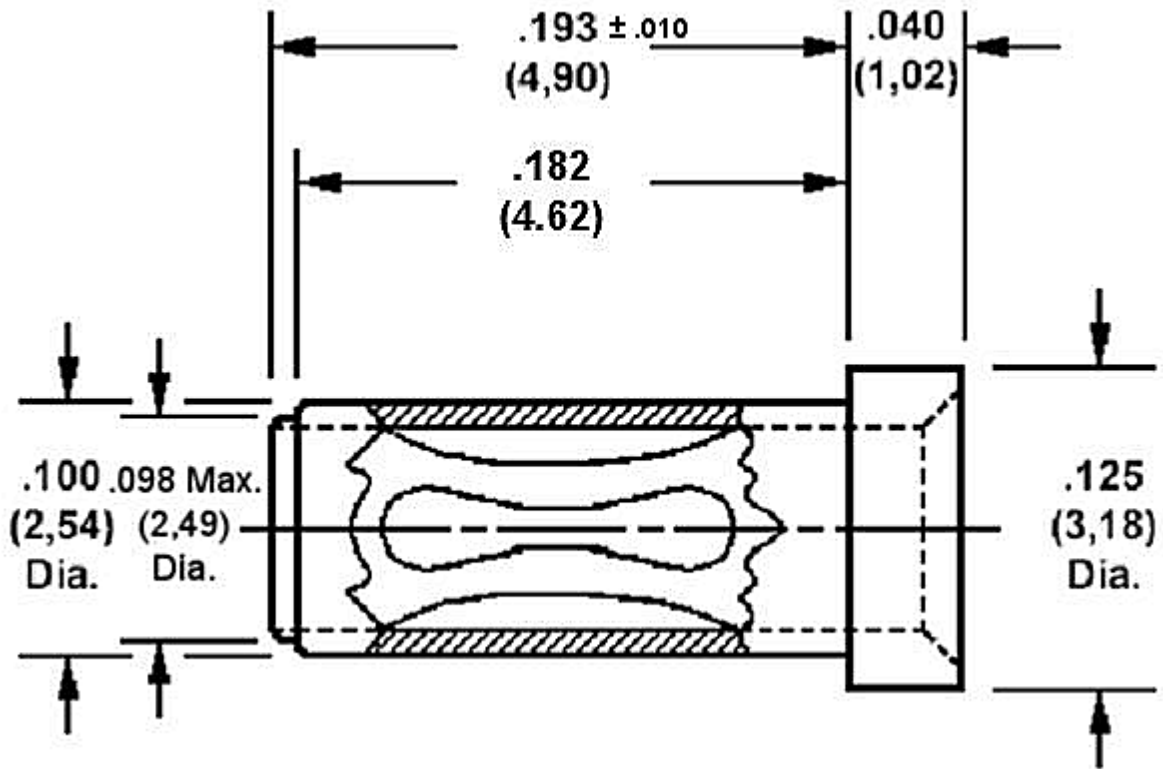


**450-3760 Guided Entry Socket, Solder Mount, Through Hole,
 for .040 (1,02) Diameter Pins**

Recommended mounting hole .104 (2,64) ± .002 (0,05), #37 drill



Through Hole

How to order code
450-3760-01-XX-00
 Basic Part No XX = Finish

MATERIALS				
Component	Material	Finish (-03)	Finish (-04)	Finish (-06)
Body	Brass	Gold over Nickel	Electro Tin	Electro Tin
Spring	Beryllium copper	Gold over Nickel	Electro Tin	Gold over Nickel

Dimensions in inches [mm]
 Tolerance unless otherwise stated ±.005 [0.13]