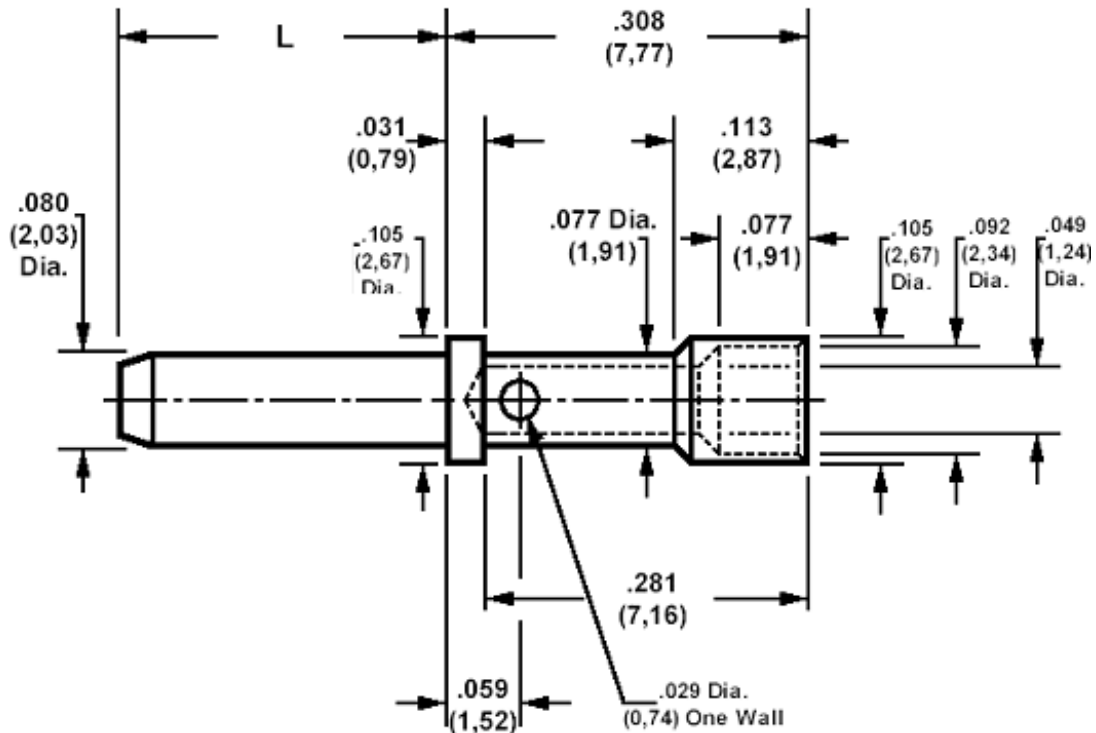


460-3369 Connector pin for patch lead ends, .080 (2,03) diameter pin



How to order code
460-3369-XX-03-00
 Basic Part Number - XX= L length

MATERIALS		
Component	Material	Finish (-03)
Pin	Brass	Gold over Nickel

DIMENSIONS (XX)		
Pin Basic Part No	(XX)	L
460-3369	-01	.200 (5,08)
	-02	.375 (9,53)
	-03	.500 (12,70)

Recommended hook up wire size is 22 AWG (7 strands of 30AWG) copper wire, insulated, .053(1,37) over insulation. (not supplied).
 Will also accept 20 AWG (7 strands of 28AWG) copper wire, insulated and 24 AWG (7 strands of 32AWG) copper wire, insulated.

Recommended crimping pliers 435-5680-01-00-00.