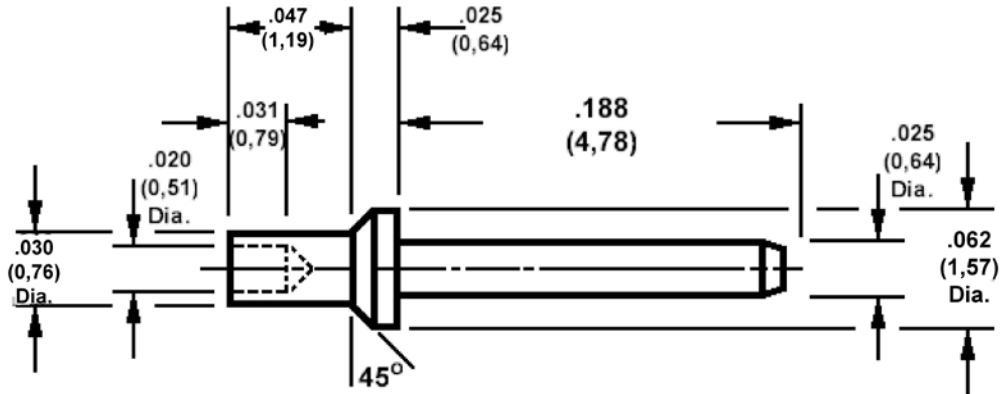


460-3889 Swage Mount, .025 (0,64) Diameter Pin

Recommended mounting hole .033 (0,84) ± .002 (0,05).



How to order code

460-3889-01-YY-00

Basic Part No YY = Plating Finish

MATERIALS

Component	Material	Finish (-03)	Finish (-04)
Pin	Brass	Gold over Nickel	Electro Tin

SWAGE TOOLING

Recommended Swaging Tools:-	
Anvil	435-6474-01-00-00
Roll Punch	435-6676-01-00-00
Flare Punch	435-6691-01-00-00