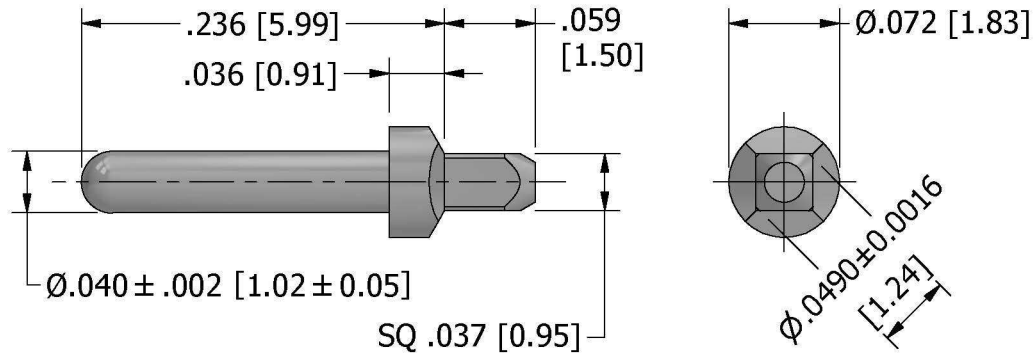


**460-8117 - Solder Mount Polygon, .040 (1,02) Diameter Pin  
 Non-Magnetic**

Recommended mounting hole .045 PTH (1,19) ± .001 (0,03).



**How to order code**  
**460-8117-01-YY-00**  
**Basic Part No YY = Plating Finish**

MATERIALS				
Component	Material	Finish (-01)	Finish (-03)	Finish (-04)
Pin	Brass, non-magnetic	Silver 7.5um over Copper	Gold 0.75um over Copper	Tin 7.5um over Copper



Dimensions in inches [mm]  
 Tolerance unless otherwise stated ±.003 [0.08]