

556-7105, Variable Coil, Unshielded, Vertical, .090µH thru 1.05mH (534-3623 Form)

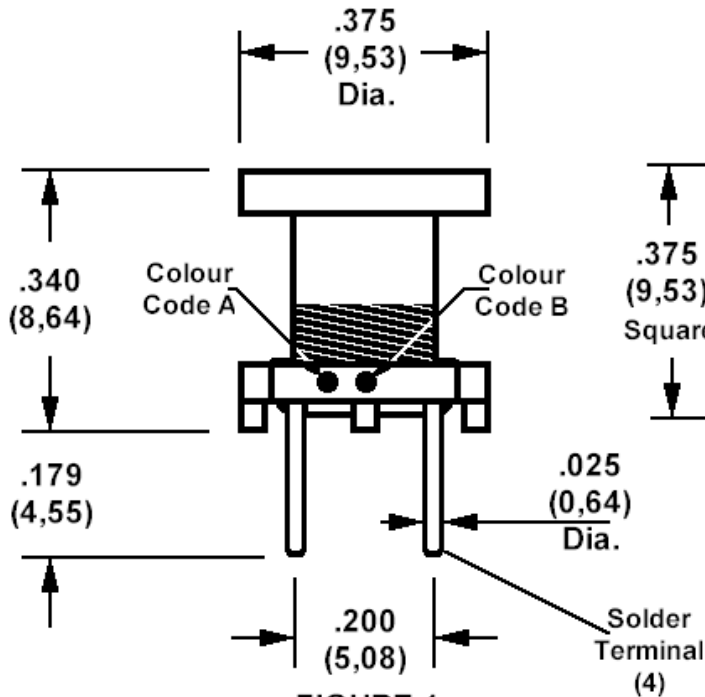


FIGURE 1

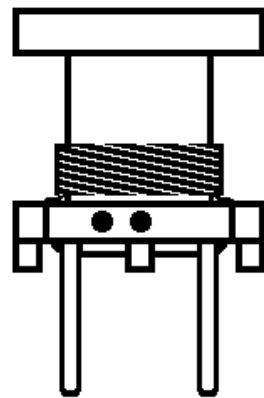
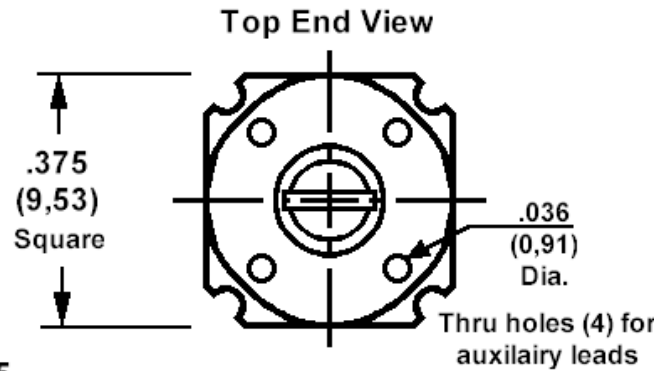
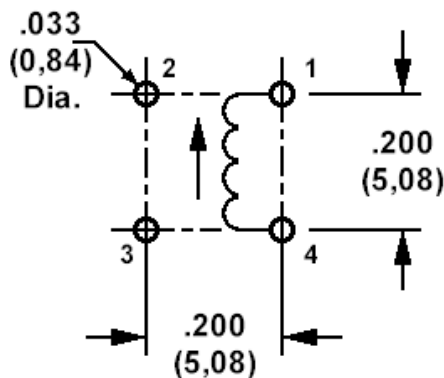
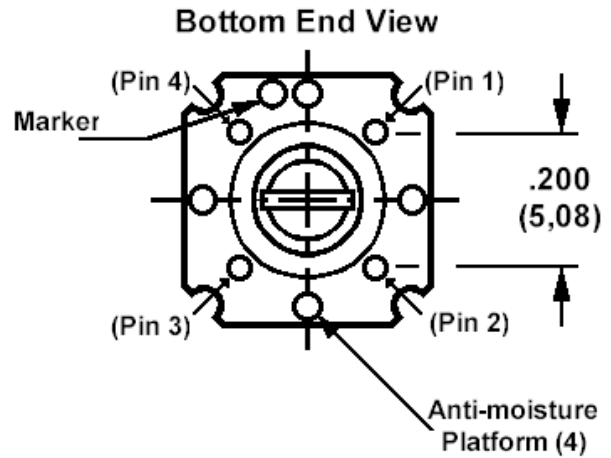


FIGURE 2



Recommended Mounting Holes

How to order code

556-7105-XX-00-00

Basic Part No (XX = Inductance range identifier. See table for options)

Fig.	Basic Part No.	XX	Inductance L (µH)		Colour Code		Q Min. @ L Min	Q Min. @ L Max	Test Freq. (MHz)	DCR Max. (Ω)	DC Max. (mA)	SRF Min. (MHz)
			Min.	Max.	A	B						
1	556-7105	-01	.090	.110	Brown	-	60	70	25.0	.030	487	550.0
		-02	.108	.132	Red	-	60	70	25.0	.047	300	475.0
		-03	.132	.165	Orange	-	60	70	25.0	.040	400	430.0
		-04	.162	.198	Yellow	-	65	75	25.0	.044	400	350.0
		-05	.198	.242	Green	-	65	75	25.0	.055	400	330.0
		-06	.242	.297	Blue	-	65	75	25.0	.057	400	330.0
		-07	.297	.363	Violet	-	60	70	25.0	.143	210	310.0
		-08	.352	.431	Grey	-	60	70	25.0	.132	200	250.0
		-09	.422	.516	White	-	60	70	25.0	.198	200	230.0
		-10	.502	.620	Brown	Black	65	70	25.0	.176	126	220.0
		-11	.612	.748	Brown	Brown	65	65	25.0	.198	126	200.0
		-12	.738	.904	Brown	Red	65	70	25.0	.220	126	180.0
		-13	.900	1.10	Brown	Orange	65	70	25.0	.242	126	170.0
		-14	1.08	1.32	Brown	Yellow	50	50	7.90	.270	126	150.0
		-15	1.32	1.65	Brown	Green	50	50	7.90	.400	100	140.0
		-16	1.62	1.98	Brown	Blue	50	50	7.90	.520	81	130.0
		-17	1.98	2.42	Brown	Violet	50	50	7.90	.560	81	110.0
		-18	2.43	2.97	Brown	Grey	50	50	7.90	.650	81	100.0
		-19	2.97	3.63	Brown	White	50	55	7.90	.800	64	90.0
		-20	3.52	4.31	Red	Black	55	55	7.90	1.00	64	80.0
		-21	4.22	5.16	Red	Brown	55	55	7.90	1.36	49	85.0
		-22	5.02	6.20	Red	Red	55	55	7.90	1.70	49	70.0
		-23	6.12	7.48	Red	Orange	55	55	7.90	2.00	38	65.0
		-24	7.38	9.04	Red	Yellow	55	55	7.90	2.40	38	55.0
		-25	9.00	11.0	Red	Green	55	55	7.90	3.00	31	50.0
2		-26	10.5	11.5	Red	Blue	55	55	2.50	1.75	48	16.0
		-27	11.4	12.6	Red	Violet	55	60	2.50	1.77	48	15.0
		-28	12.3	13.9	Red	Grey	55	60	2.50	1.79	48	15.0
		-29	13.9	15.8	Red	White	55	60	2.50	1.82	48	14.0
		-30	15.2	17.1	Orange	Black	55	60	2.50	1.92	48	13.0
		-31	17.1	18.9	Orange	Brown	55	60	2.50	2.02	48	12.0
		-32	18.9	21.0	Orange	Red	55	60	2.50	2.10	48	12.0
		-33	20.9	23.1	Orange	Orange	55	60	2.50	2.20	48	11.0
		-34	22.8	25.7	Orange	Yellow	55	60	2.50	2.40	48	11.0
		-35	25.7	28.3	Orange	Green	55	60	2.50	2.60	48	11.0
		-36	28.3	31.5	Orange	Blue	55	60	2.50	2.70	48	11.0

Fig.	Basic Part No.	XX	Inductance L (µH)		Colour Code		Q Min. @ L Min	Q Min. @ L Max	Test Freq. (MHz)	DCR Max. (Ω)	DC Max. (mA)	SRF Min. (MHz)
			Min.	Max.	A	B						
2	556-7105	-37	31.4	34.5	Orange	Violet	55	60	2.50	2.80	48	11.0
		-38	34.2	37.8	Orange	Grey	55	60	2.50	3.00	48	10.0
		-39	37.1	40.9	Orange	White	55	60	2.50	3.20	48	10.0
		-40	40.8	45.2	Yellow	Black	55	60	2.50	3.40	48	9.5
		-41	44.6	48.5	Yellow	Brown	55	60	2.50	3.50	48	9.5
		-42	48.5	53.5	Yellow	Red	55	60	2.50	3.65	48	9.0
		-43	53.2	58.8	Yellow	Orange	55	60	2.50	4.00	48	9.0
		-44	58.9	65.1	Yellow	Yellow	55	60	2.50	4.20	48	8.5
		-45	64.6	71.4	Yellow	Green	55	60	2.50	4.30	48	8.5
		-46	70.3	77.7	Yellow	Blue	55	60	2.50	4.50	48	8.0
		-47	77.7	86.5	Yellow	Violet	55	60	2.50	4.80	48	8.0
		-48	86.5	95.5	Yellow	Grey	50	55	2.50	5.00	48	7.5
		-49	95.0	105.0	Yellow	White	50	55	2.50	5.20	48	7.0
		-50	105.0	115.0	Green	Black	50	55	.790	5.70	48	6.5
		-51	114.0	126.0	Green	Brown	50	55	.790	6.30	48	6.0
		-52	123.0	140.0	Green	Red	50	55	.790	6.60	48	5.5
		-53	140.0	158.0	Green	Orange	55	65	.790	7.10	48	5.5
		-54	152.0	171.0	Green	Yellow	55	65	.790	7.50	48	5.0
		-55	171.0	189.0	Green	Green	55	65	.790	8.00	48	5.0
		-56	189.0	210.0	Green	Blue	60	70	.790	8.40	48	5.0
		-57	209.0	231.0	Green	Violet	60	70	.790	8.70	48	4.5
		-58	228.0	254.0	Green	Grey	60	70	.790	9.10	48	4.5
		-59	254.0	283.0	Green	White	40	45	.790	9.50	64	5.5
		-60	283.0	315.0	Blue	Black	40	45	.790	10.7	64	5.0
		-61	314.0	345.0	Blue	Brown	40	45	.790	11.5	64	4.5
		-62	342.0	378.0	Blue	Red	40	45	.790	13.8	49	4.5
		-63	371.0	409.0	Blue	Orange	40	45	.790	15.0	49	4.0
		-64	408.0	452.0	Blue	Yellow	40	45	.790	16.0	49	4.0
		-65	452.0	494.0	Blue	Green	40	45	.790	16.8	49	3.5
		-66	485.0	535.0	Blue	Blue	40	45	.790	17.5	49	3.5
-67	532.0	588.0	Blue	Violet	40	45	.790	18.0	49	3.0		
-68	589.0	651.0	Blue	Grey	40	45	.790	23.0	38	3.0		
-69	646.0	714.0	Blue	White	40	45	.790	24.0	38	3.0		
-70	703.0	777.0	Violet	Black	40	45	.790	25.0	38	3.0		
-71	777.0	865.0	Violet	Brown	45	50	.790	33.0	31	2.5		
-72	865.0	955.0	Violet	Red	45	50	.790	34.0	31	2.0		
-73	950.0	1050.0	Violet	Orange	45	50	.790	35.0	31	2.0		

Technical Data Sheet**Core Material is:-**

- 01 thru -13 Carbonyl J (Green)
- 14 thru -49 Carbonyl E (Red)
- 50 thru -73 Carbonyl C (Yellow)

Moulded Diallyl Phthalate base to the coil form

Windings are varnish impregnated and powdered iron cores are moisture proofed

Temperature range: -55°C to +105°C

Dimensional Tolerance (unless otherwise stated) - $\pm .005$ (0,13)

Recommended tuning tool - 435-1522-01-00-00