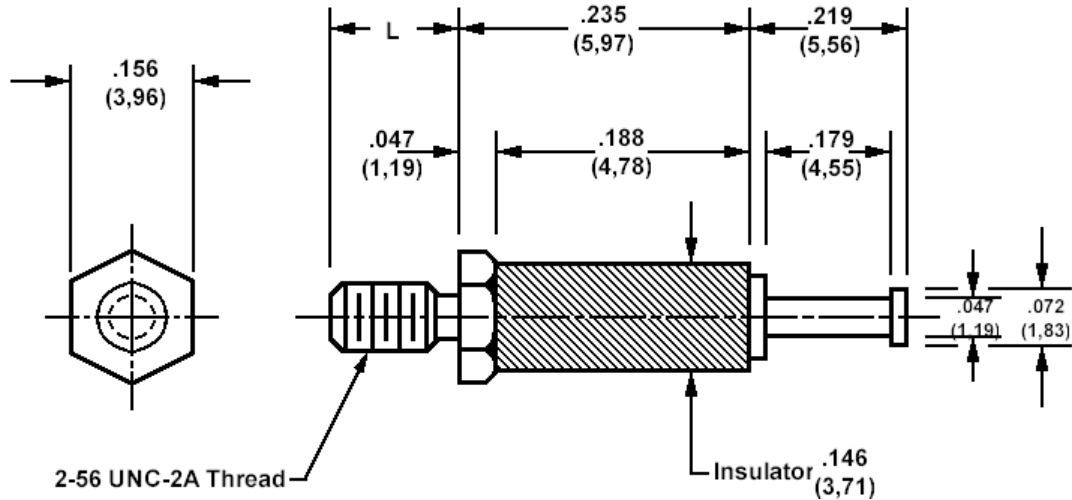


572-4876 Insulated solder terminal, Turreted



How to order code

572-4876-XX-YY-16

Basic Part No (XX = thread length, YY = plating finish. See tables for options)

| Basic Part No. | XX | L |
|----------------|-----|-------------|
| 572-4876 | -01 | .125 (3,18) |
| | -02 | .188 (4,78) |
| | -03 | .250 (6,35) |

| Component | Material | Finish (YY) | |
|-----------|--------------------------|-------------------------|-------------------------|
| | | -01 | -05 |
| Terminal | Brass | Silver | Electro Solder |
| Stud | Brass | Cadmium (plus chromate) | Cadmium (plus chromate) |
| Insulator | Diallyl Phthalate (blue) | | |

| Additional Specifications | |
|--|------|
| Dielectric Withstanding Voltage (VRMS) | 3000 |